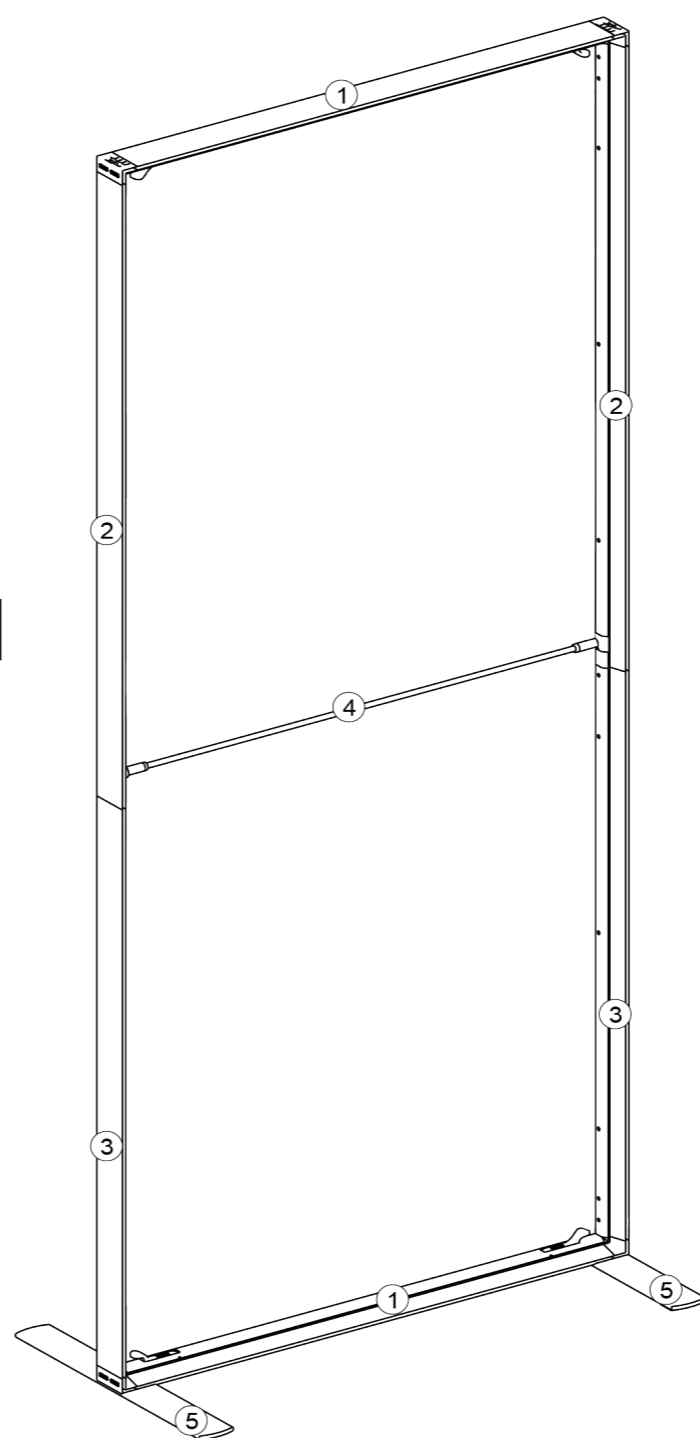


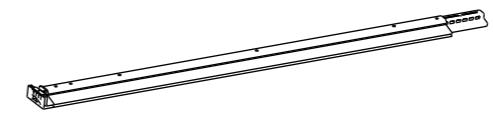
# Setup Manual



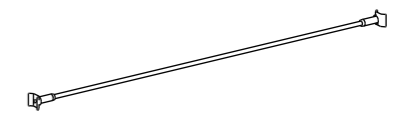
① Horizontal Bar



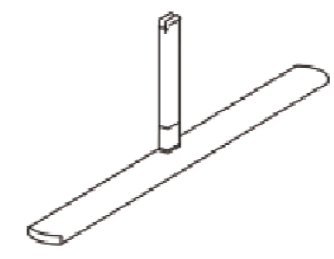
② Vertical Pole Top



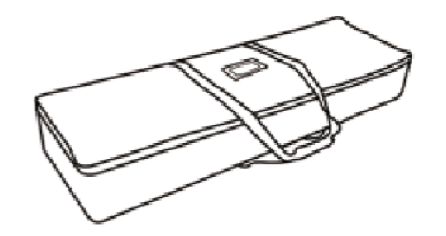
③ Vertical Pole Bottom



④ Brace Rod

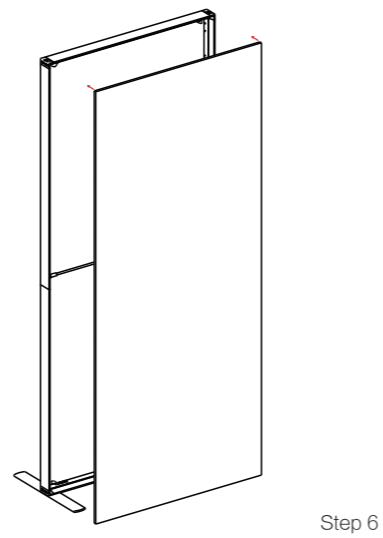
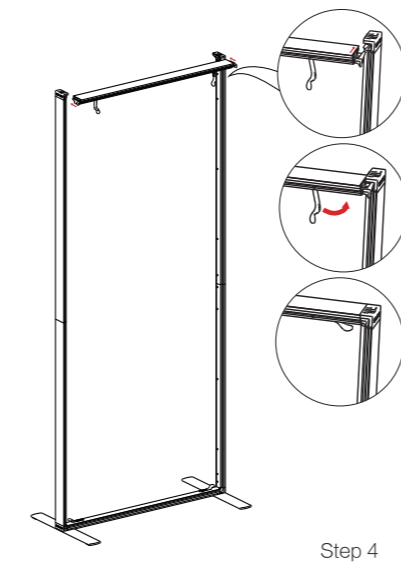
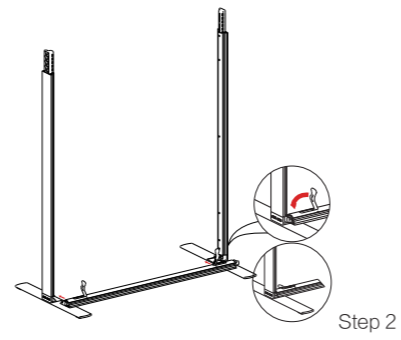
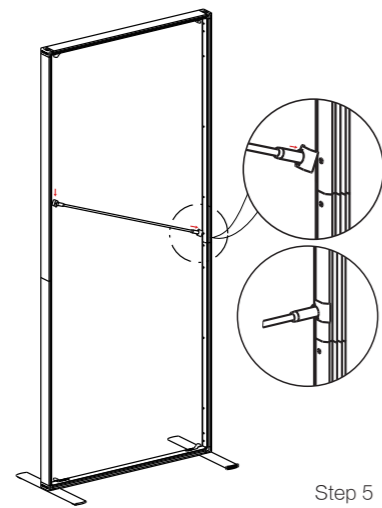
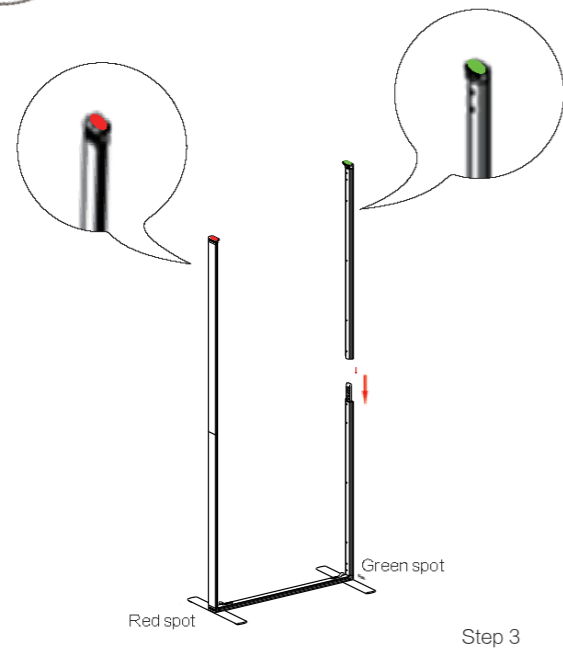
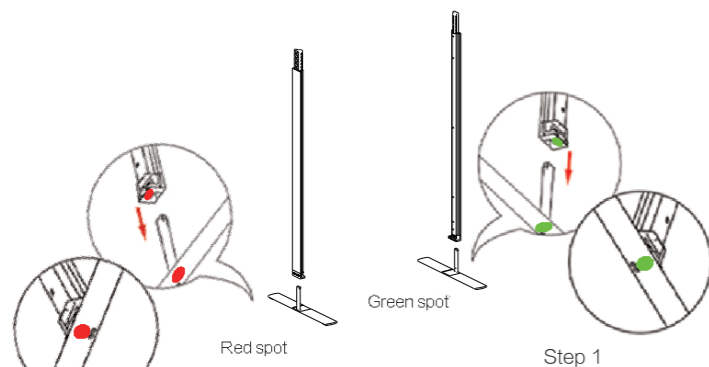


⑤ Foot

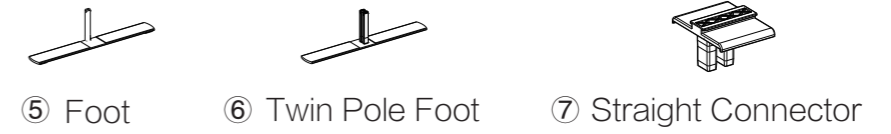
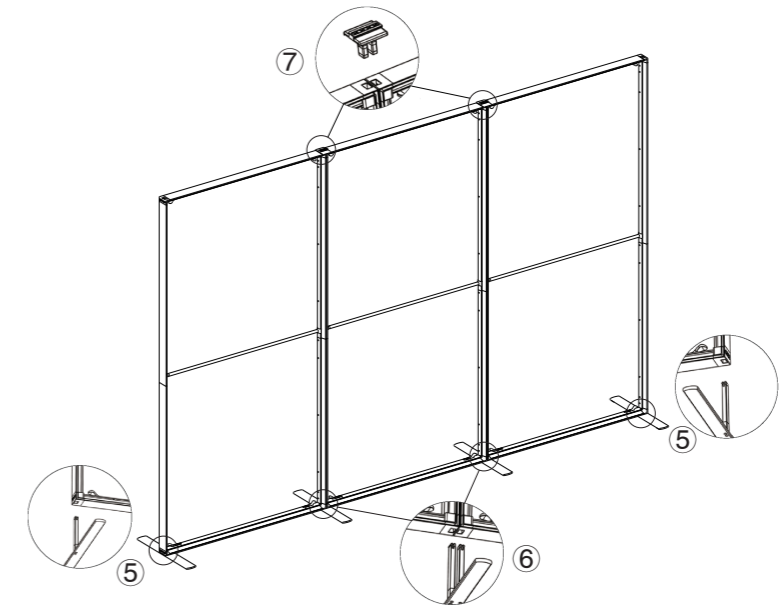


Bag

### 1 Frame Setup



### 3 Frame Setup



### 6 Frame Setup

